



MISS-K
USER'S MANUAL

Table of content

1.	Safety instructions	3
1.1.	For safe and efficient operation	3
2.	Intended use of the device	4
2.1.	Connections	6
2.2.1.	Electrical connections.....	6
2.2.2.	DMX connections	7
2.4.	Wireless remote / Dip switch 4 channel.....	
2.5.	Wired remote controller.....	7
3.	Introduction.....	8
3.1.	Product description	8
4.	Before using	9
5.	Control buttons	9
6.	User Interface	10
6.1.	Status interface	10
6.2.	Menu.....	10
6.3.	DMX Interface	11
7.	Operation	12
7.1.	Manual Operation	12
8.	Operation via DMX	12
9.	Settings.....	12
9.1.	DMX address	13
9.2.	Fan speed setting	13
10.	RFID card	13
10.1.	How to use the card	13
10.2.	How to check the remaining time	13
11.	Technical data	14

1. Safety instructions



- This device is suitable for indoor use (not outdoors) only.
- Unauthorized modifications will invalidate the warranty.
- Repairs are to carry out by skilled workers only.
- Use only fuses of the same type and original parts as spare parts.
- To avoid fire and electric shocks protect the unit from rain and humidity.
- The safety distance to the audience must be 2 metres.

1.1. For safe and efficient operation

Be careful with heat and extreme temperatures!

Do not place the device in a location where it is exposed to extreme temperatures.

Operate the device only in an ambient temperature between 0°C (32°F) - 40°C (104°F). Do not expose the device to direct sunlight or heat sources.

Keep away from humidity, water and dust!

Avoid placing the device in a location with high humidity or excessive dust. Place no liquids on or near the system.

Place the device on a firm ground!

To avoid vibrations always place the device on a firm ground.

Do not use chemicals for cleaning!

Use a clean and dry cleaning rag to remove dust. Metal parts can be cleaned with a dampened cleaning rag. Before cleaning always unplug the device from the power supply.

If the device is not working properly!

If problems occur unplug the device from the power supply. The user should not try to service the device independently. All repairs and service must be performed by a qualified technician.

Take proper care with the power cord!

Never pull the power cord to disconnect the device from the power supply, but remove the plug with plug housing in the hand. If you do not use the device for an extended period, unplug the device from the power supply.

ATTENTION!

Damages caused by the disregard of this user manual are not subject to warranty. The dealer will not accept liability for any consequent secondary failures. Only skilled workers are allowed to carry out the electrical connections. All electrical and mechanical connections have to be carried out according to the European safety standards.

2. Intended use of the device

This device was developed for professional use on stages, in discos, theatres etc. The device is only approved for a connection up to 230 V 50/60 Hz alternating current and only for indoor use.

Regular breaks during operation increase the lifetime of your device.

Avoid convulsions or any form of forceful impact during the installation or the startup of the device.

Take care that no cables are lying around. You would endanger your own safety and also the safety of a third party.

It is not allowed to operate or store the device in an environment in which spray water or rain is expected. Humidity or very high atmospheric humidity could reduce the isolation of the device and could cause deadly electric shocks.

If using fog machine you have to ensure that the fog saturation of the room must allow a good visibility of at least 10m.

Never aim the nozzle on people a keep a distance from 50 cm to the nozzle. ATTENTION. The ejected fog is very hot!

Operate the device not during thunderstorms. Surge voltages could destroy the device. Unplug the power supply during thunderstorms.

Surrounding objects or surfaces should not be in contact with the device.

Make sure that during the installation and removal of the device the area below the place of installation is basically cordoned off. This also applies to implementation of service.

Make familiar yourself with the functions of the device before start-up. People without the experience should not handle with the device. The most cause of functional disorder is inappropriate handling.

Keep the device away from children and never operate it unattended.

Never aim the nozzle on people and keep a distance from 1 meter to the nozzle.

Keep a minimum distance of 1 meter to other objects.

Use only the recommended, high quality granule from your dealer.

Other fluids may cause damages.

Never aim the nozzle on open fire or flammable objects.

Operate the unit only in a horizontal position.

Never use solvents or aggressive detergents for cleaning. Use instead of this a damped cleaning rag.

To prevent damages during transport use for transport the original packing or provided accessories.

For reasons of safety unauthorized changes are forbidden!

A usage of the device which differs from usages which are described in this manual can cause damages of the device. In this case the warranty expires. Additional you should notice that every different usage is related with dangers and can cause e.g. an electrical short, fire, electric shock or crash.

2.1. Overhead installation



Danger of life!

You have to observe the regulations of BGV C1 (formerly VBG 70) and EN60598-2-17 Installations are to carry out by skilled personnel only.

The suspension devices have to be build and measured so they can withstand for an hour the tenfold of the payload without suffering a permanent detrimental deformation.

Basically installation has to be made by using a second separate suspension. This can be e.g. a suitable net. The second suspension must be designed and attached so no part of the installation can fall down in case of failure.

During construction, reconstruction and deconstruction unnecessary stay in the range of moving areas, on lightning bridges, under elevated work stations or any other danger zones is forbidden.

The operator is obliged to following safety-related and mechanical facilities:

- Before the first start-up or after critical changes before restarting it has to be checked by an expert.
- Review in the frame of the inspection test at least all four years by an expert. .
- Review by a qualified person at least once a year.

2.2. Connections

2.2.1. Electrical connections

Connect the fixture to the mains with the enclosed power cable and plug. The earth has to be connected.

Cable (EU)	Cable (US)	Pin	International
Brown	Black	Live	L
Light blue	White	Neutral	N
Yellow/Green	Green	Earth	

2.2.2. DMX connections

Make sure that you use shielded cable. 3 pol XLR or 5 pol XLR cables are suitable.

2.4. Wireless Remote / Frequency 433Mhz

When the heating process is finished, Then you are able to use the button on the remote. If heating is not complete, then the remote control cannot be operated.



2.5 Instruction Wireless Remote.

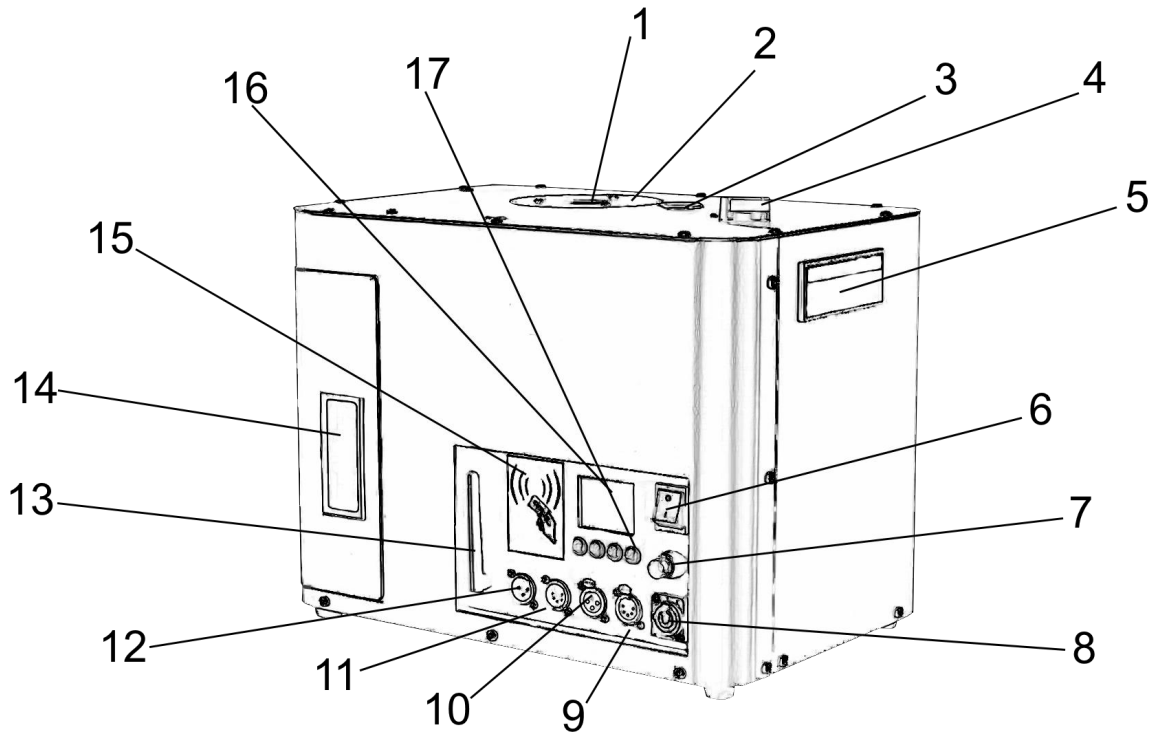
BUTTON	LED'S	FOG	SPARK
1	off	off	Set. data
2	off	on	Set. data
3	Color change Rainbow	on	off
4	red	on	off
5	green	on	off
6	blue	on	off
7	amber	on	off
8	set colour	on	Set.data

3. Introduction

Thank you for choosing the EWTX MISS-K

We recommend that you carefully read these operating instructions before commissioning the unit. Please follow the instructions in this manual. This is the only way to ensure safe operation, proper use and long service life.

3.1. Product description

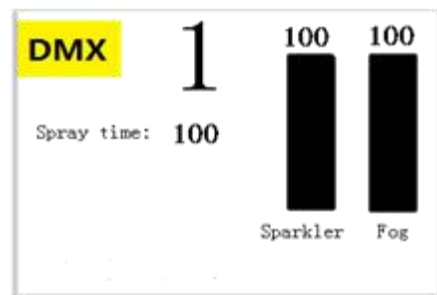
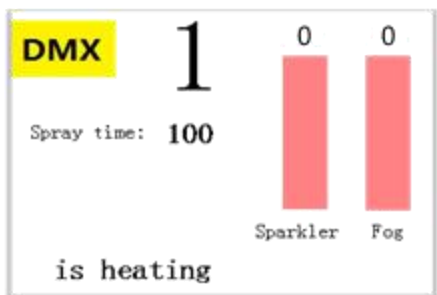


1. Nozzle Fog
2. LED'S 3W
3. Nozzle Spark
4. Feed Port
5. Handle
6. On/Off switch
7. Fuse
8. Power-con , input
9. XLR 5 pol / out
10. XLR 5 pol / out
11. XLR 3 pol / in
12. XLR 3 pol / in
13. Aerial Wireless
14. Fog Tank 2 L
15. Induction Zone Card
16. LCD Display
17. Menu Control Buttons

4. Before using

Remove before start-up every packing material. Place the unit on a level, dry surface. The machine is not allowed to be turned upside down or angled. Make sure she stands up straight. Otherwise the machine will be damaged.

1. After verifying that the unit is intact and complete, please place it on a level surface.
2. Now you have to fill in the granules. More information for this you can read on the packing of the granules. You are only allowed to use the granules of EWTX.
3. Fill the tank with fluid. Make sure that there is always enough fluid in the tank.
4. Connect the device to the power supply.
5. The device starts to heat up. This process needs 5-8 minutes, meanwhile the display shows „Spark part is heating / Fog part is heating“.
6. The heating process is finished. The Display show's Sparkler / Fog 100%



5. Control buttons

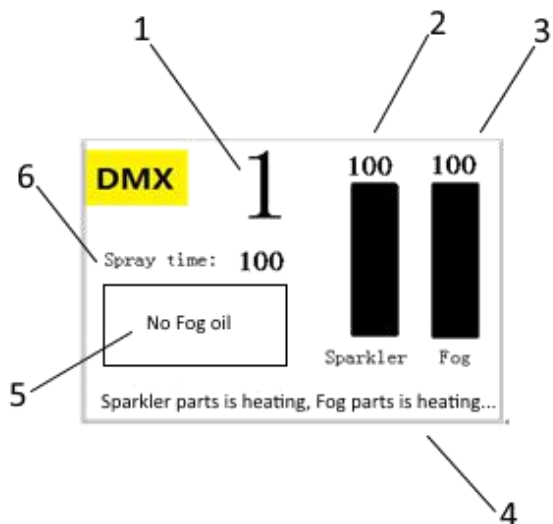
Button	Function
MENU	Navigation through the menu.
▲	Increase a value or make a setting.
▼	Decrease a value or make a setting.
ENTER	Back to the root menu or to confirm to it.

According the menu instruction to set what function you need. after 10 seconds no operation, the sub menu will revert back to main menu and save current setting data.

6. User Interface

6.1 Status interface

- 1: Current DMX Address
- 2: Spark heating status
- 3: Fog heating status
- 4: Machine information
- 5: Error reminder
- 6: Spark time in Seconds



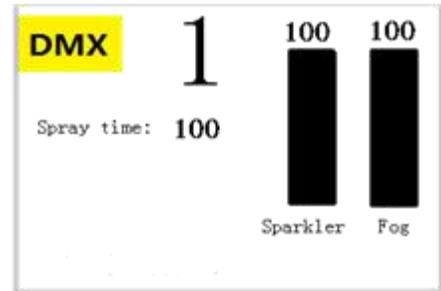
6.2. Menu

Menu		Function
DMX Address	1-512	Setting the DMX address.
Sparkle	height volume	Set the height 0 - 100 Set the volume 0- 100
Light	1-255	Set the LED-Ring Dimmer, Strobe, Color
Manual	Sparkler Fog Sparkler+ Fog	Press Enter longer for testing effect Press Enter longer for testing effect Press Enter longer for testing both effect
Language	English	Choose language.
Set up	Hi sparkler tm Lo sparkler tm Hi Fog Tm Lo Fog tm Fan adjust	Set Sparker Temperature "ONLY 135" Set Sparker Temperature "ONLY 120" Set Fog Temperature "ONLY 135" Set Fog temperature "ONLY 113" Adjust fan speed "Set to 3 "
Set up	Spark Temp. Fog Temp.	Shows the current temperature

6.3 DMX Interface

Connect XLR 3 / 5 Pol XLR and set the DMX address 1.

The Display show the current DMX address.



7. Operation

If the device is in a good condition, it can start a fountain for 15 minutes continuously with a volume of 100% - 255 for a fountain height of 3-5 meters depends which powder you use (Indoor 3m/Outdoor 5m)

8. Operation via DMX

Channel	Value from	Value to	Function
1	0	255	LED Dimmer 0 - No light 1-100 %
2	0	255	Co1-Red Dimmer 0 No light 1-100%
3	0	255	Co2-Green Dimmer 0 No light 1-100%
4	0	255	Co3-Blue Dimmer 0 No light 1-100%
5	0	255	Co4-Amber Dimmer 0 No light 1-100%
6	0	255	Strobe Slow to Fast 0 No Strobe 1-100%
7	0	255	Fog output Min-Max. 0 No output 1-100%
8	0	255	Spark fountain height 0 Safe 1-100%
9	0	255	Spark output 0 No spark 1-100%

NOTE: If the value of channel 8 is above 0, even if the value of channel 9 is 0, the machine operates on the basis of minimum sparks. If channel 8 is 0, channel 9 is disabled.

9. Settings

9.1. DMX address

Connected to DMX signal, the unit will display "001 / 1" in the LCD screen. Or press "MENU" button till Symbol "DMX". Through "▲" and "▼" to set the address.

9.2. Sparkler volume / height setting

Press "MENU" Button till Symbol "Sparkler". Adjust the height / volume through "▲" and "▼". Maximum is 100.

10. RFID card

10.1. How to use the card

Tap the IC Card to the Induction zone to activate the unit. Each card enables the unit to work 30 minutes. In the meantime, the IC card will be invalid after being read.

10.2. How to check the remaining time

Press "Menu" buttons to check the remaining time (seconds) sample (1800 Seconds = 30 Minutes) of using. Tap another new card to re-activate the unit when the time is over.

11. Technical data

Voltage	AC 220 - 240 V; 50/60 Hz
Power consumption max.	2400W
Heating-time	5 Minutes
Consumption	14 g/min powder
Height of the fountains	1-5 Meter
Number of DMX channels	9
LM type	LED RGBA (6 in 1, 3W)
Heating time	5 minutes
Tank volume "Fog fluid"	2 Liter
DMX 512	Yes
XLR in / out	3pol / 5 pol
Remote / Frequency 433 MHz	Yes
Power in	Power-Con
Dimensions	408x278x322 mm
Weight	17,5 Kg
Height of the Fog	8 Meter



Importer:

Sebo GmbH
Bömmmerstr 32
D-58454 Witten

www.sebogmbh.de

Info@sebogmbh.de

